

Department of Defense Activity Address Directory (DoDAAD) Reengineering Project



DoDAAD Reengineering

Purpose:

- **Respond to J-6 request for briefing, prior to responding to J-3 memorandum requesting reengineering**
- **Obtain J-6 approval to move forward**

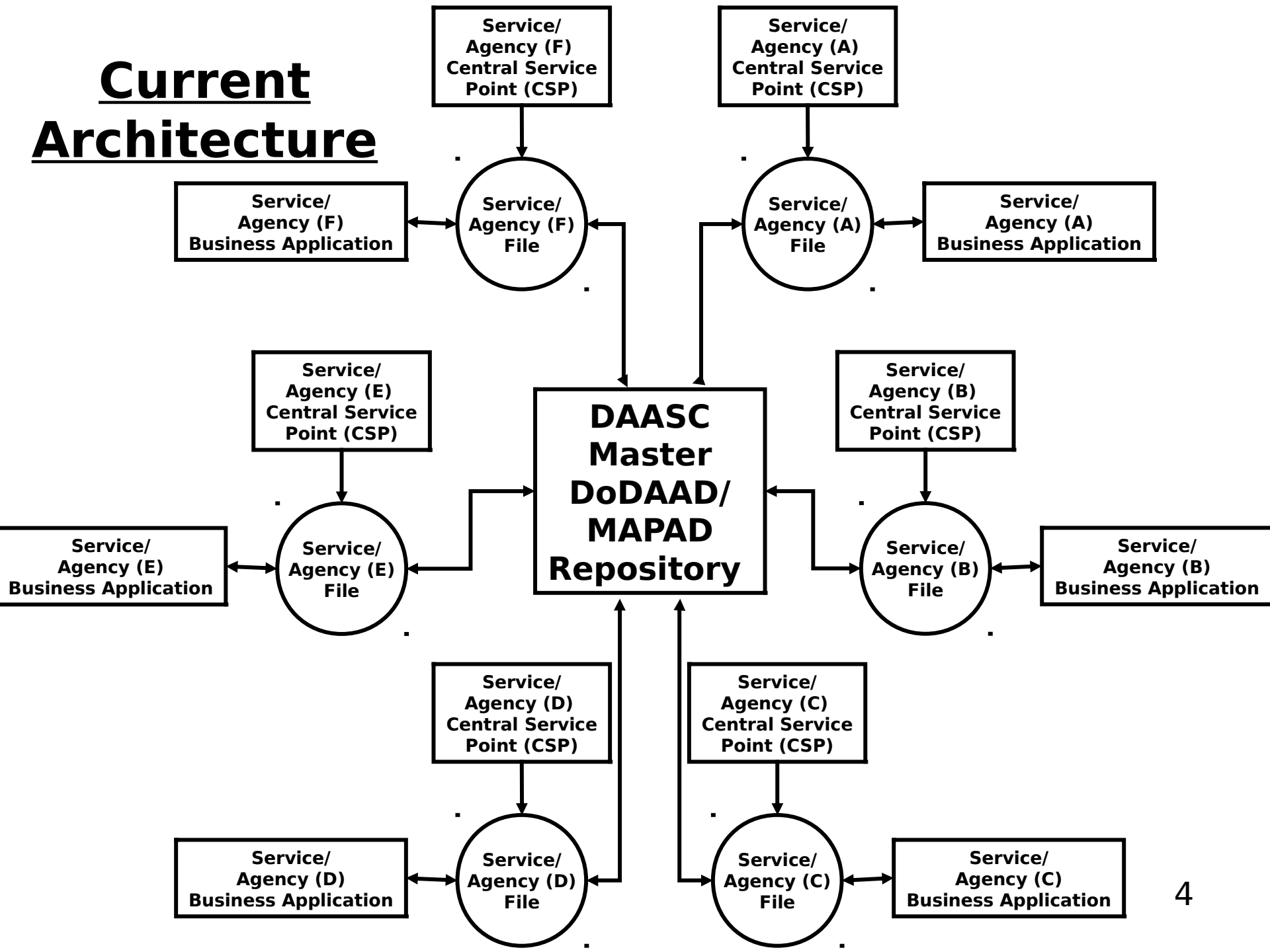
Outline:

- **Background**
- **Graphic depicting current architecture**
- **Current architectural functional/technical deficiencies**
- **New data requirements examples**
- **Reengineered “to-be” architecture graphic**
- **What’s been done to date**
- **Next steps**

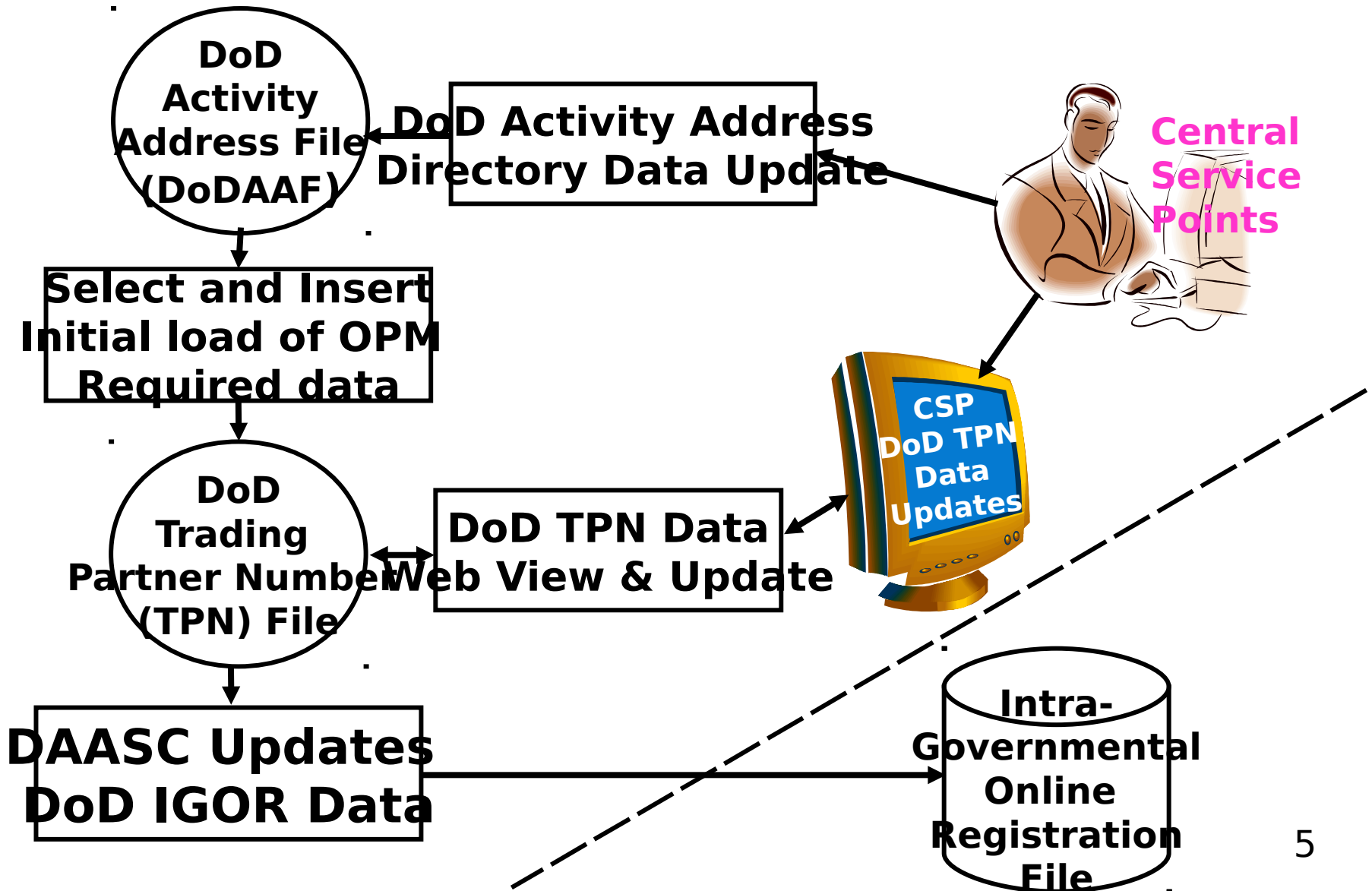
Background

- **DoDAAD is a critical reference repository that supports logistics procurement and financial business processes:**
 - ❖ **Applications access DoDAAD data thousands of times daily**
 - ❖ **DoDAACs identify authorized users, ship to locations, and bill payers; control business rule application; key to tracking and summaries**
- **Its basic functional and technical architecture obsolete**
- **Has come under internal and external criticism**
- **Business reengineering/modernization efforts hampered**
- **GAO has been told DoDAAD will be reengineered**

Current Architecture



DoD CONOPS Approach To Develop Initial Load and Update of the DoD Trading Partner Number (TPN)



Current DoDAAD Architecture Deficiencies

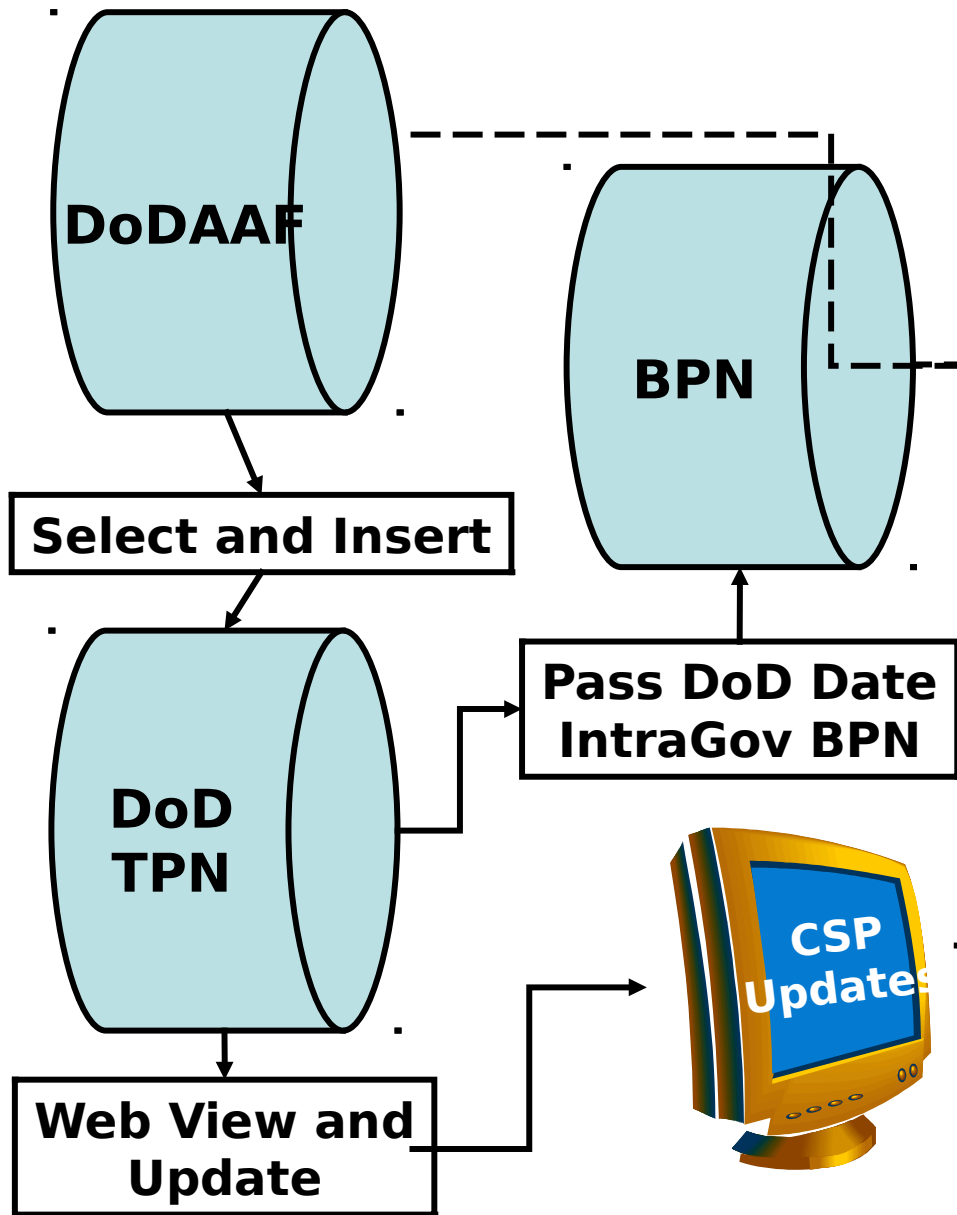
- **Discrepancies between DAASC authoritative source file and Component copies cause delay and/or erroneous processing of operational logistics transactions**
- **Reconciliation between DAASC authoritative source file and Component files are resource intensive and ineffective**
- **Authoritative source file does not contain all data required to support current processes:**
 - ❖ **Components have appended new data to locally maintained files**
 - ❖ **Lacks data to support new initiatives e.g., OMB IntraGov/transactions**
- **Technical architecture does not support:**

New Data Requirement Exam

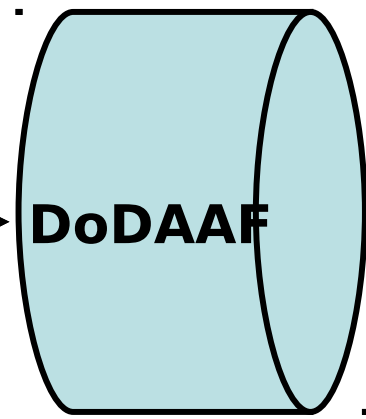
- **Major Commands/Bureaus**
- **Authority Code**
- **Treasury Index code**
- **Agency Location Code**
- **Container Consolidation Points (CCP)**
- **Break Bulk Point code**
- **Aerial Port of Debarkation (APOD)**
- **Water Port of Debarkation**

OMB BPN Requirement

"Near Term Satisfaction"

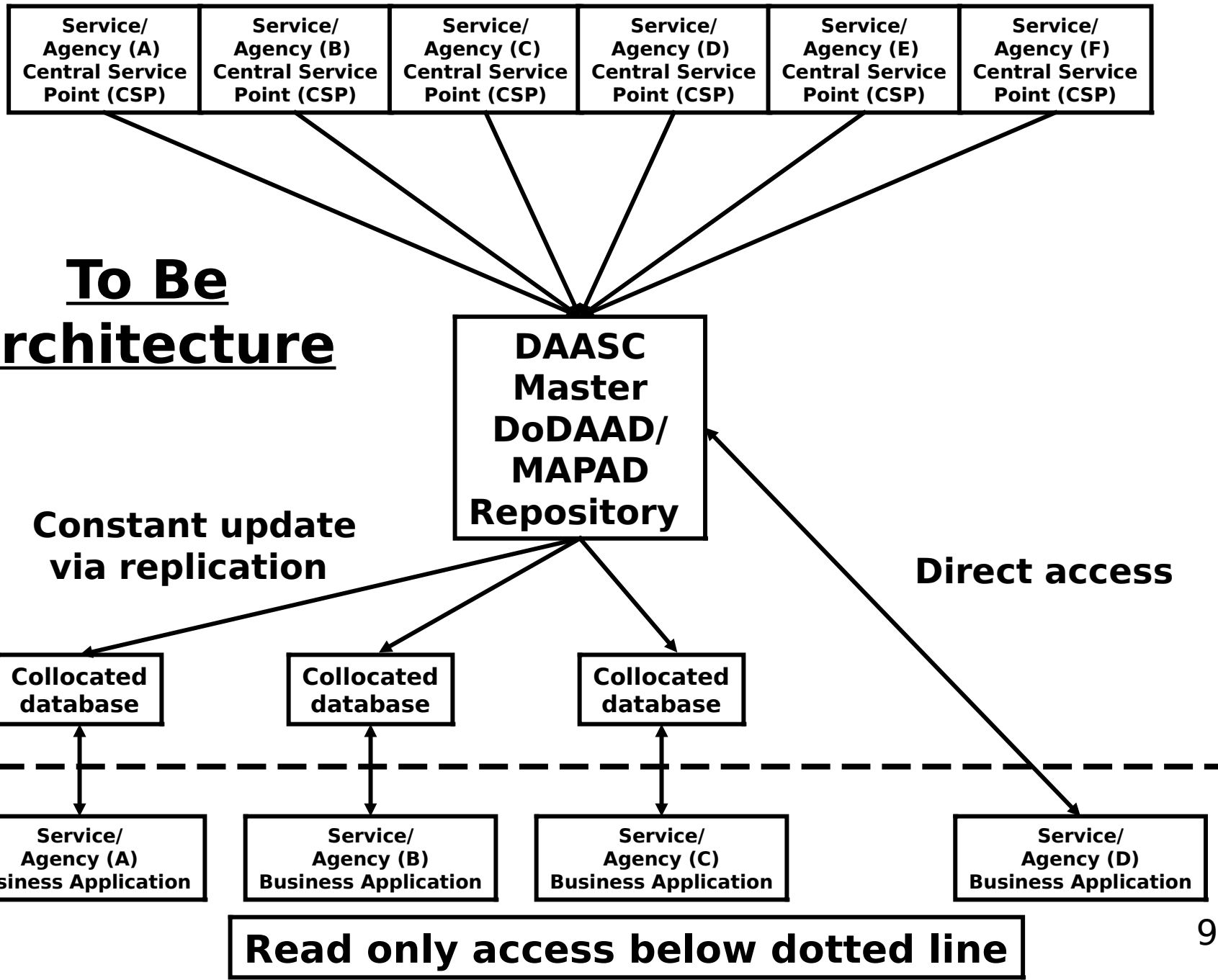


Reengineered DoDAAF



- Single data base satisfying data requirements
 - ❖ DoD components
 - ❖ OMB IntraGov
- Single Web update

To Be Architecture



What's Been Done

- **Held DoDAAD Process Review Committee (PRC) meetings to begin determining Component data requirements**
- **POM'd for reengineering effort within IDE POM**
- **Attempted to secure funding for FY02 start (unsuccessful), funds available for FY03 start**
- **Multiple meetings with DUSD(L&MR) staff, USD(C), and OMB on initial Intra-Governmental Online Registry (IGOR) data reqts**
- **Held joint DoDAAD/Financial PRC meeting on OMB near term requirements**
- **Developed approach for satisfying OMB IGOR requirements**
- **Provided DAASC with requirements for IGOR**
- **Drafted DoDAAD Reengineering Concept of Operations**
- **DLMSO/DAASC meetings to refine and reach Concept of Operations agreement**

What's Next

- **Validate/finalize Component/OMB data requirements**
- **Identify data element validation criteria**
- **Identify standard WEB queries/reports**
- **Identify applications requiring direct access and those requiring collocated files**
- **Select and acquire required COTS software**
- **Develop database design/load test data**
- **Initial load of database (this requires feeds from current Component local files)**

What's Next (Continued)

- **Develop and approve test plan and identify test partners (BSM and DSS recommended)**
- **Develop WEB database update and query**
- **Test prototype**
- **Develop user training program**
- **Expand prototype to production**
- **Revise DoD policy - mandate DAASC DoDAAD as sole authoritative source**
- **Revise DLMS manuals**

End State Objective

- **As Requested by DUSD(LM&R) Reengineer DoDAAD improving its functionality, accuracy, and efficiency**
- **Develop and prove out a repeatable process that can be applied to the other key DoD reference repositories supporting logistics business functions**